

CATEGORY	DESCRIPTION	P/N #
CONNECTOR	1394B 9PIN Female SMT	1394BF-09XL1-0000

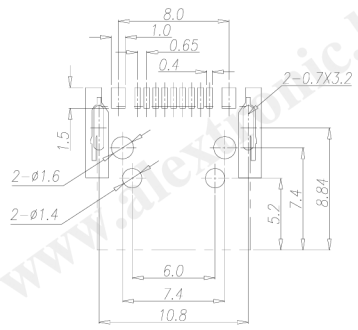
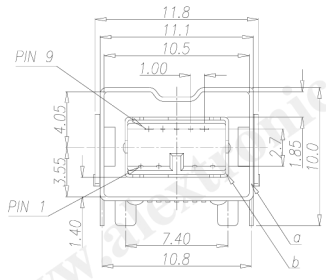
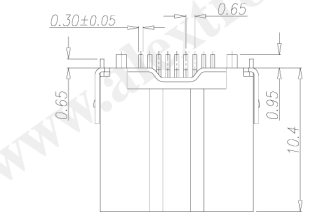
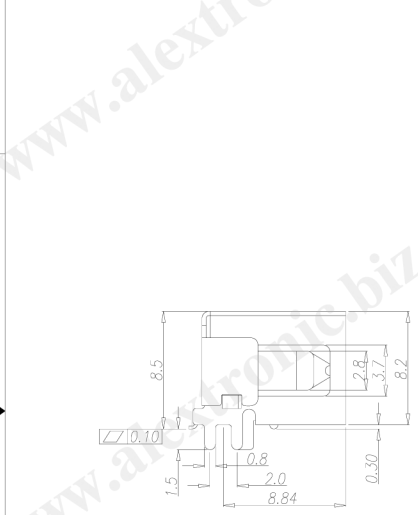
REV.	ECN NO	DESCRIPTION	REVISED	DATE
A01		New Release	GMC	2009.10.06

PART NO.:
1394BF-09XL1-0000

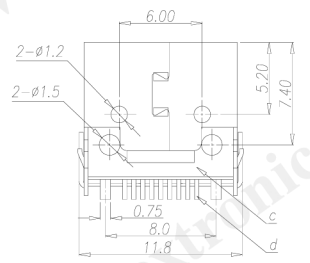
Table 1

X	Terminal Plating
1	Gold Flash Plating
3	Au 3u" Plating
5	Au 5u" Plating
7	Au 15u" Plating
8	Au 30u" Plating

Specification:
 1.Voltage Current Rating: 1AMP, 30V AC
 2.Insulation Resistance: 100MQ MIN.
 3.Contact Resistance: 50mΩ MAX.
 4.Dielectric Withstanding Voltage:500V AC
 5.Temperature Range:-20 °C to +85 °C
 6.Insertion and Withdrawal Force:
 Insertion: 39N MAX.
 Withdrawal force: 10N MIN.



Recommend PCB Layout
(Jack Top View)
Tolerance: ±0.05mm



NO.	PART NAME	Q'TY	MATERIAL	PLATING & COLOR	Remark
d	Terminal	9	Brass, T=0.2mm	See Table 1	
c	Housing	1	LCP UL94V-0	Black	
b	Inner Shell	1	Brass, T=0.2mm	Ni Plating	
a	Outer Shell	1	Brass, T=0.3mm	Ni Plating	

UNLESS OTHERWISE SPECIFIED TOLERANCES			SCALE: free UNIT: mm		DWG. NO: WI-061-715	
SIZE: A3 PAGE: 1 OF 1 REV: A01			APPROVED BY		CHECKED BY	
DECIMALS: X : ±0.5 X.X : ±2' X.XX : ±0.3 X.XX : ±1' X.XXX : ±0.2			WYX		Pengjie	
					GMC	
			CUSTOMER COPY			